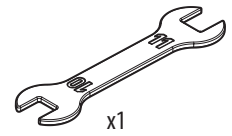
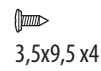
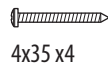
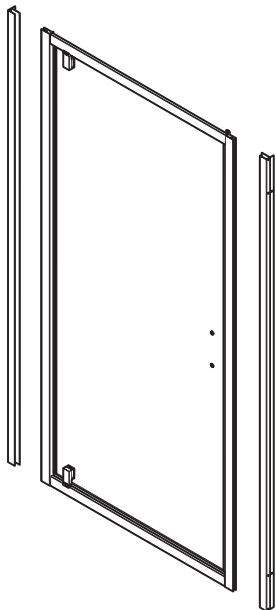
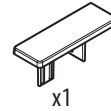
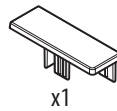
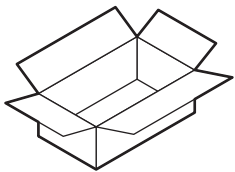
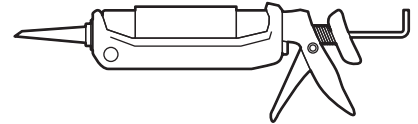
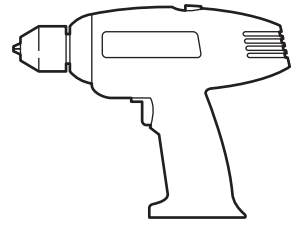
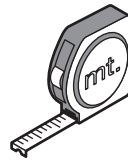
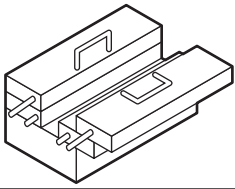
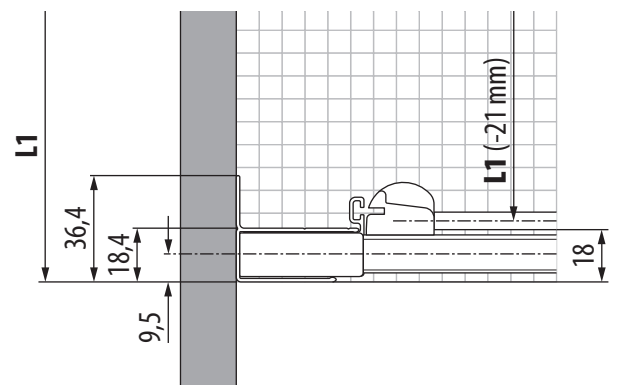
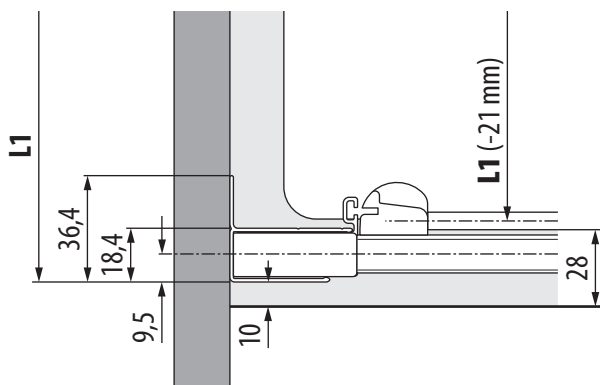
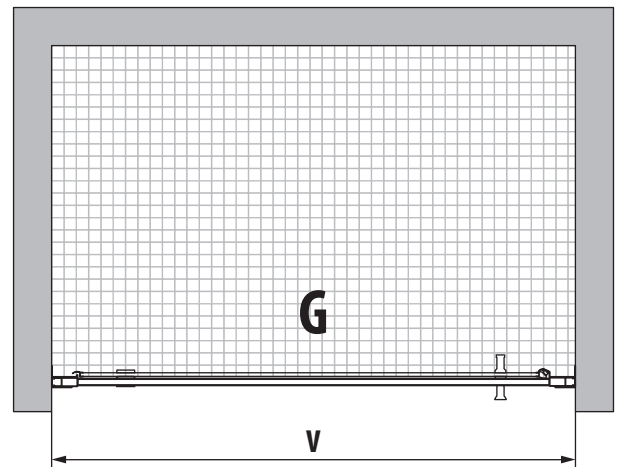
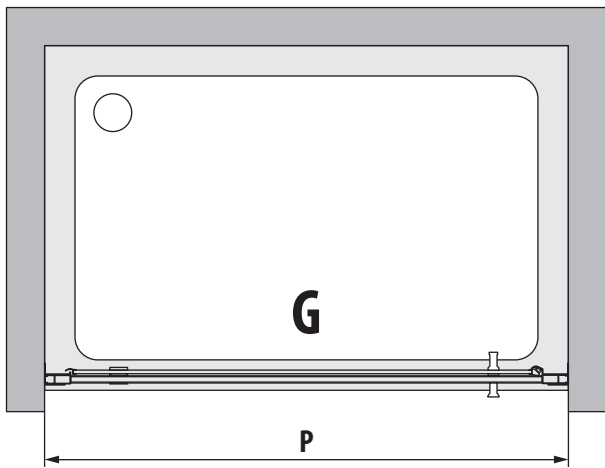


<hr/> <hr/> <hr/> <hr/>	<hr/> <hr/> <hr/> <hr/>
-------------------------	-------------------------

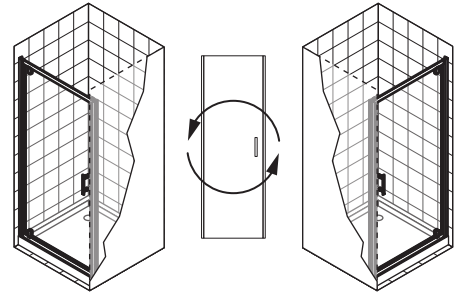
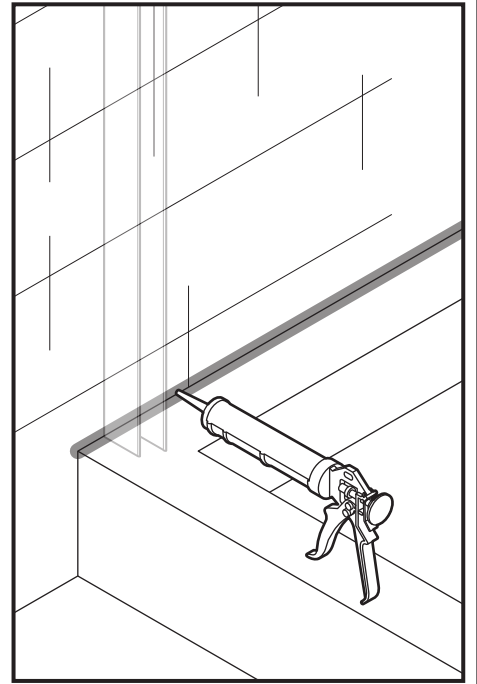
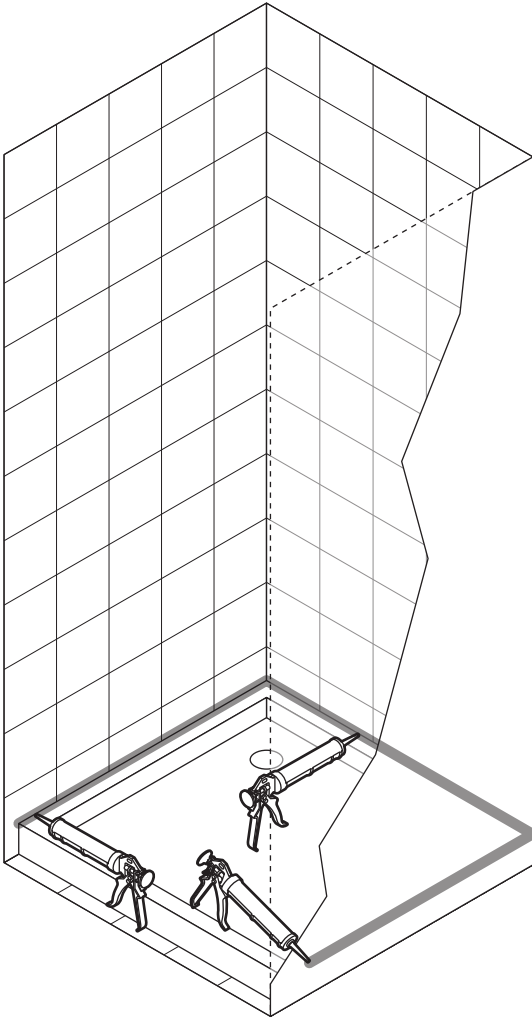


G	P mm
66	660-720
72	720-780
76	760-820
86	860-920
96	960-1020

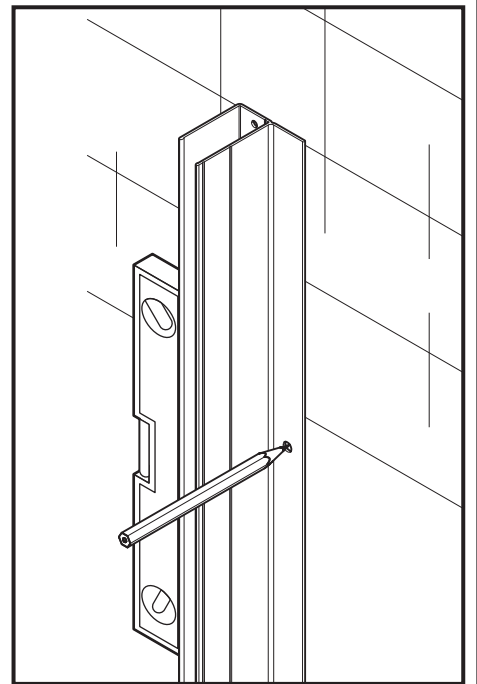
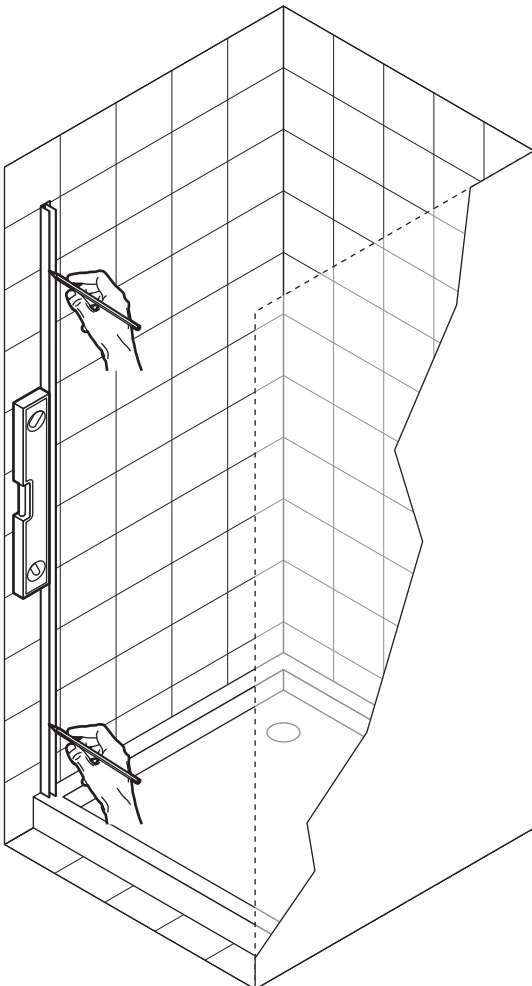
G	V mm
66	660-720
72	720-780
76	760-820
86	860-920
96	960-1020



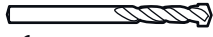
1



2



3



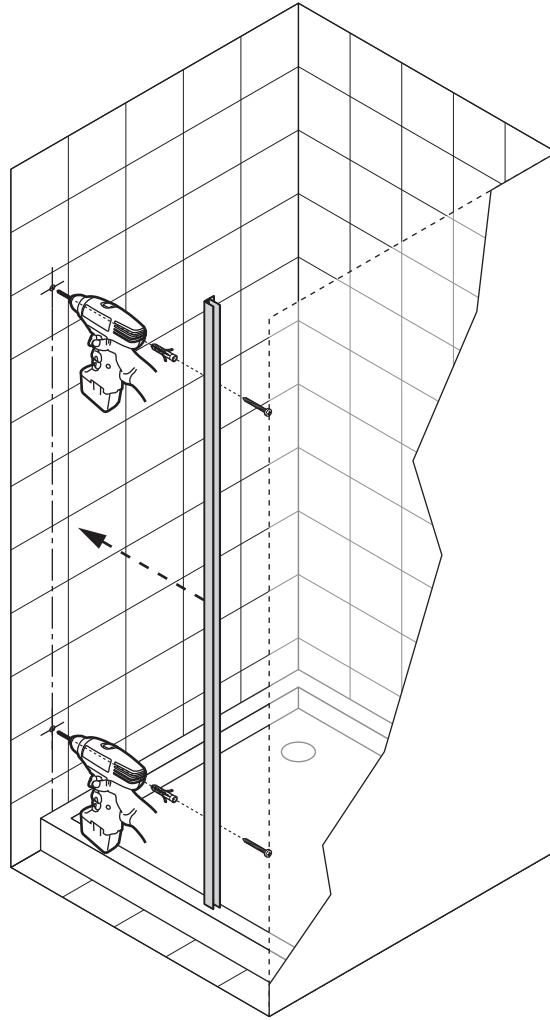
ø6 mm



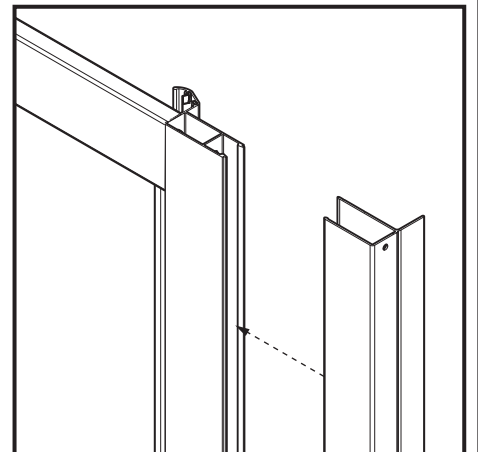
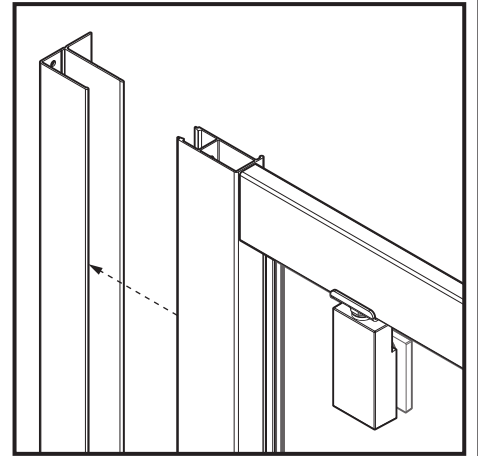
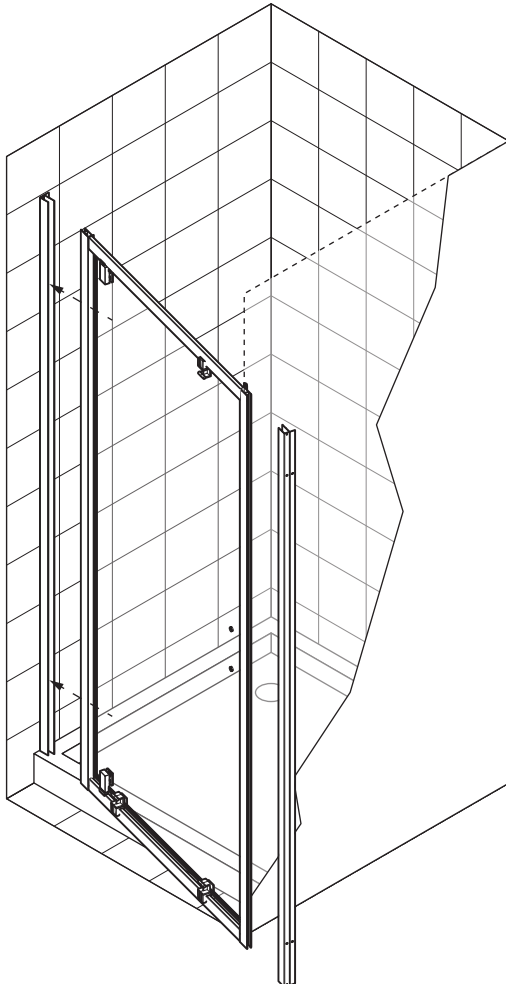
S6 x2



4x35 x2

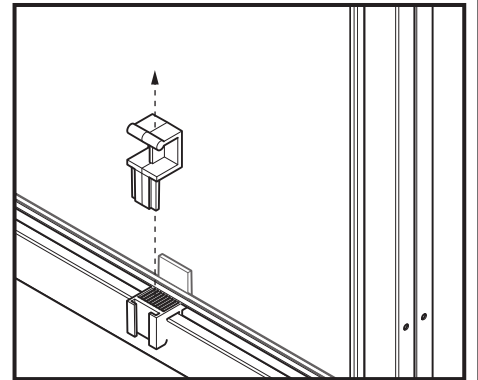
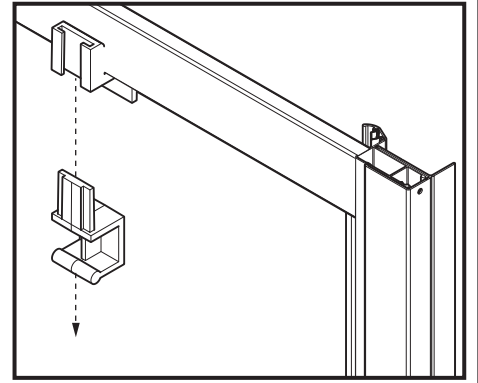
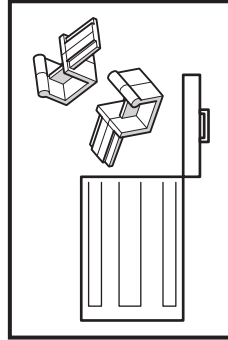
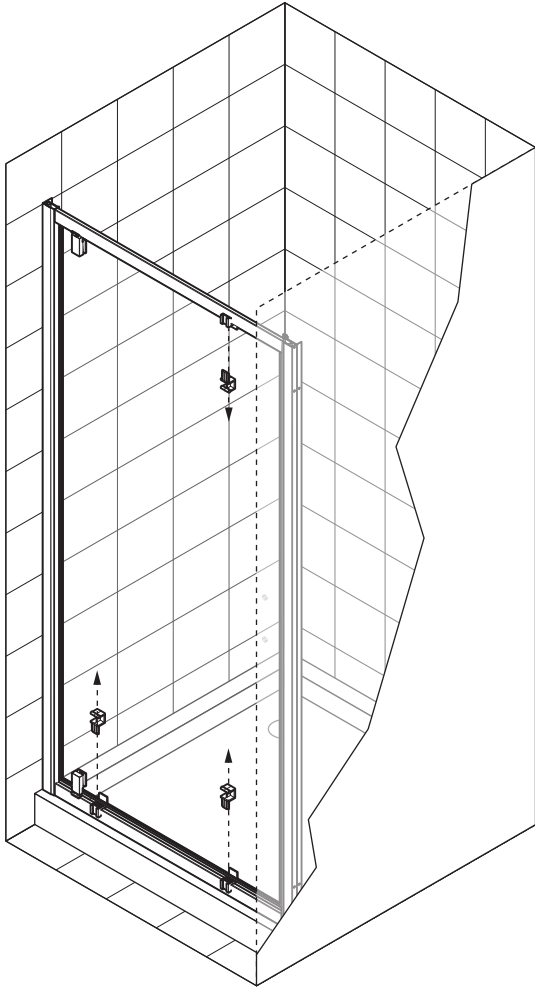


4

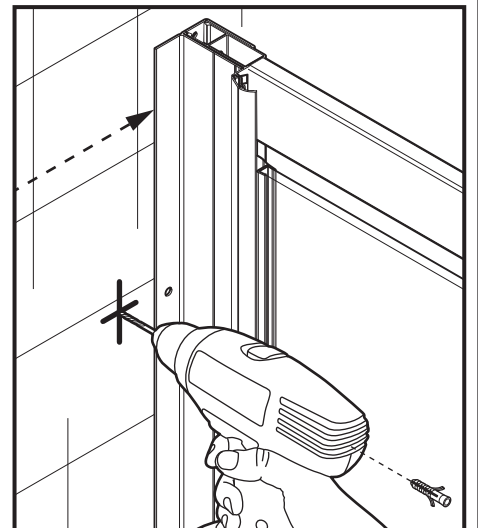
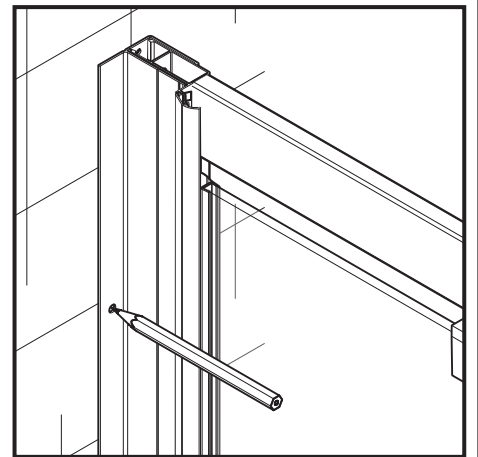
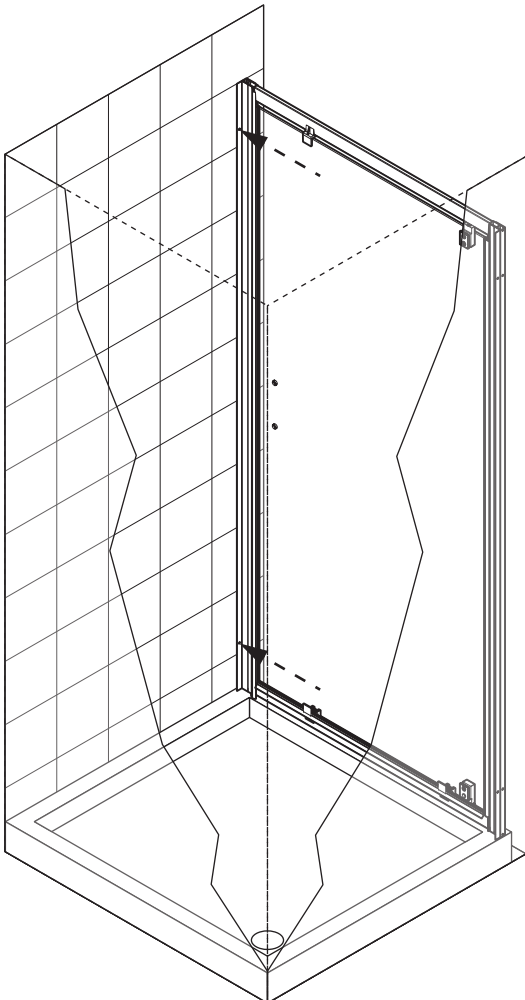


5

5



6

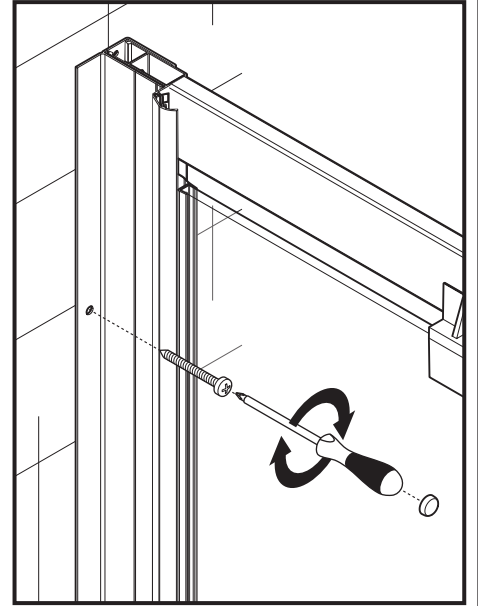
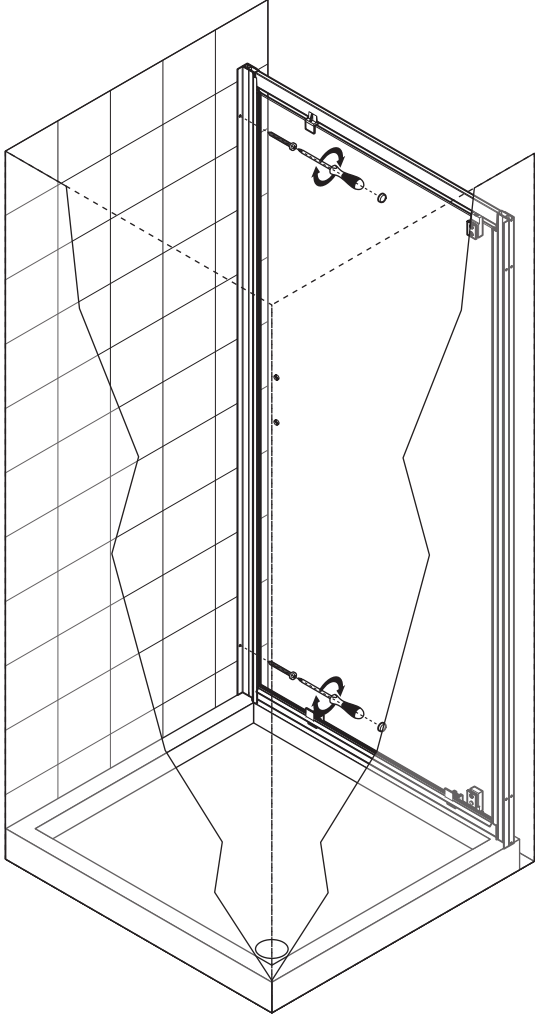


Ø6 mm

S6 x2

6

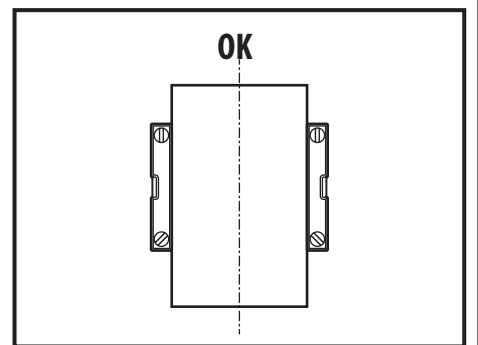
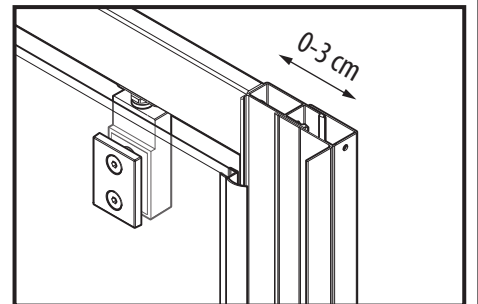
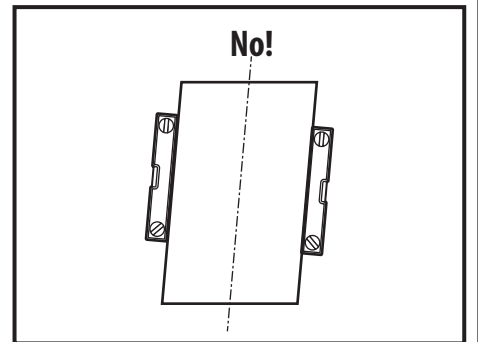
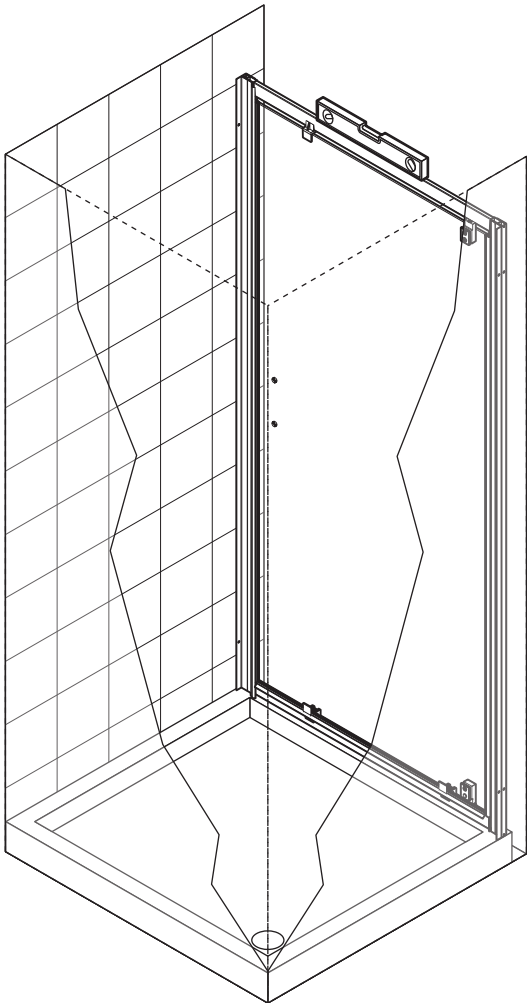
7



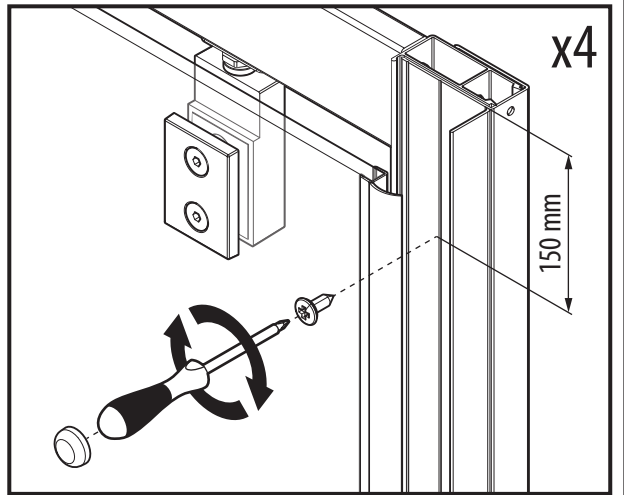
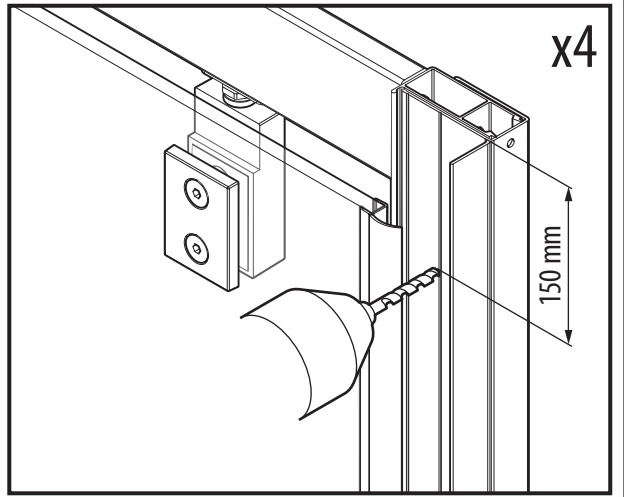
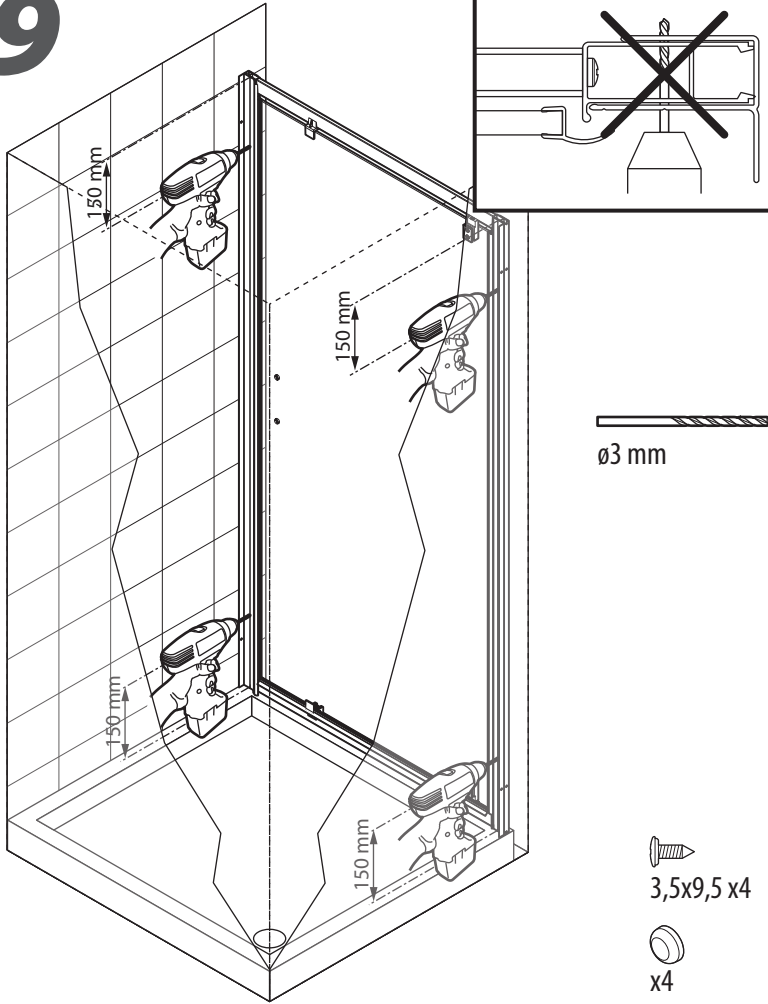
4x35 x2

x2

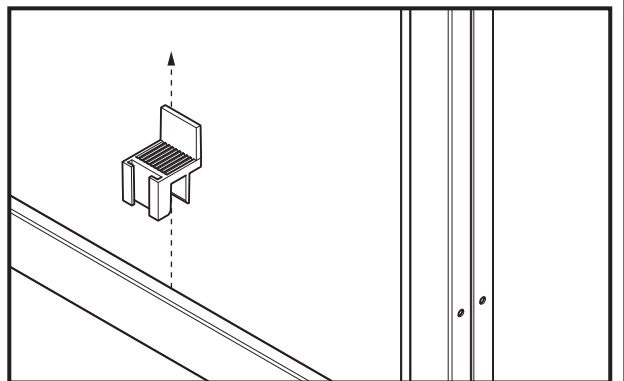
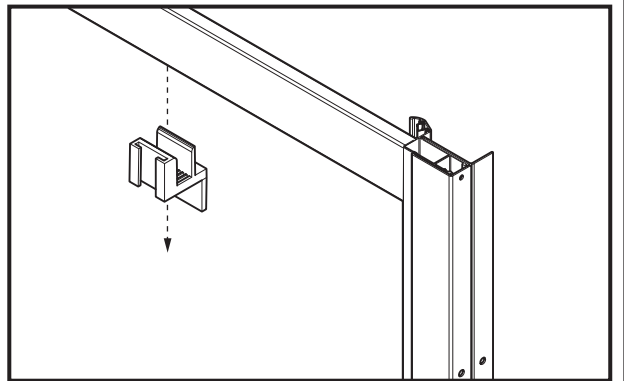
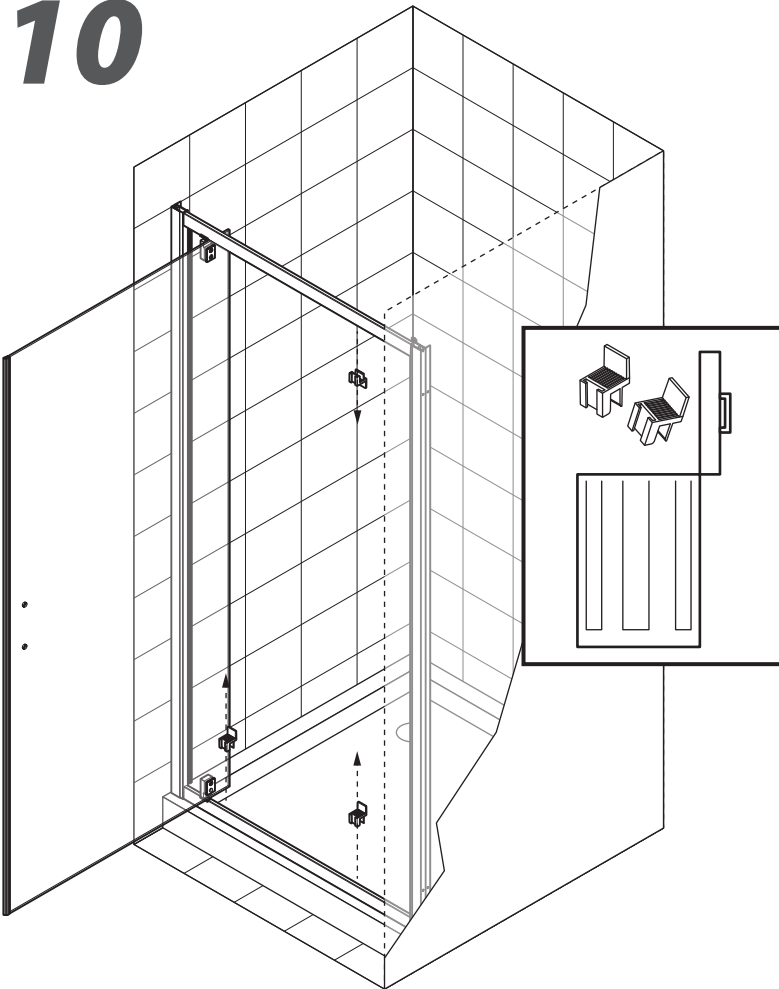
8



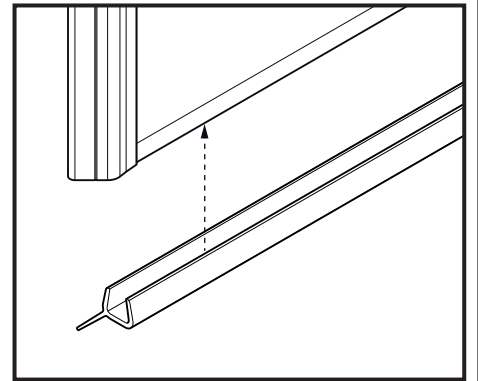
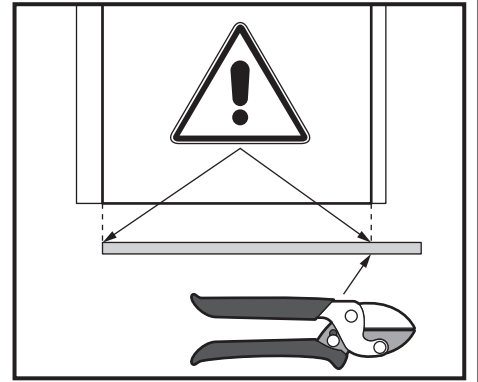
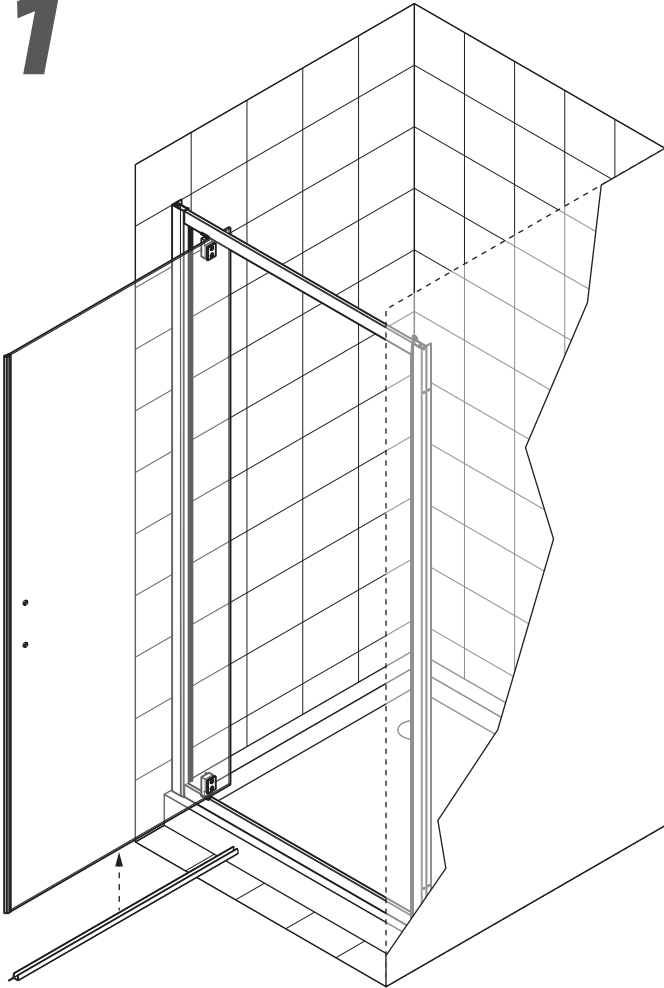
9



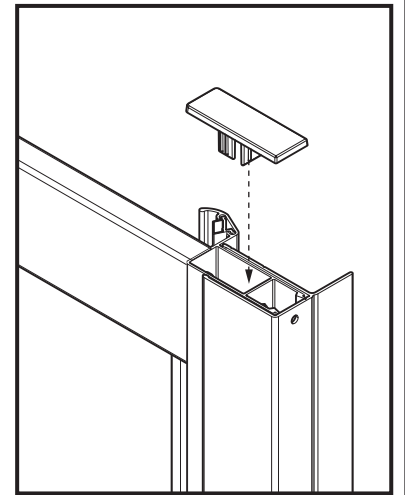
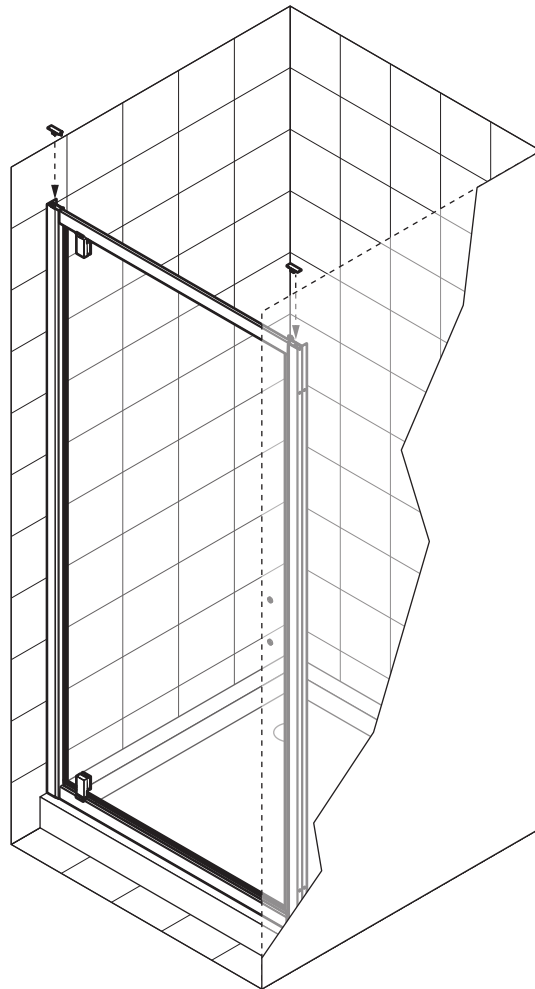
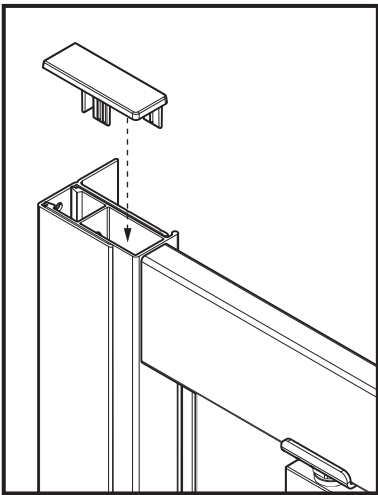
10



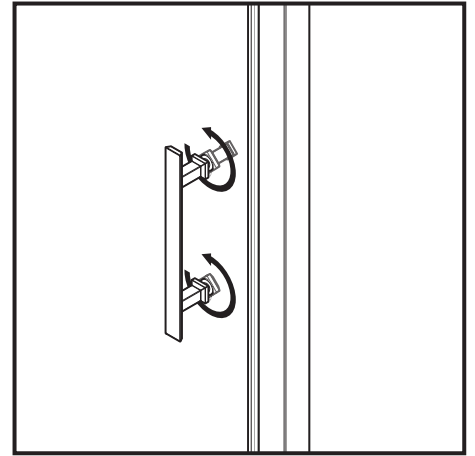
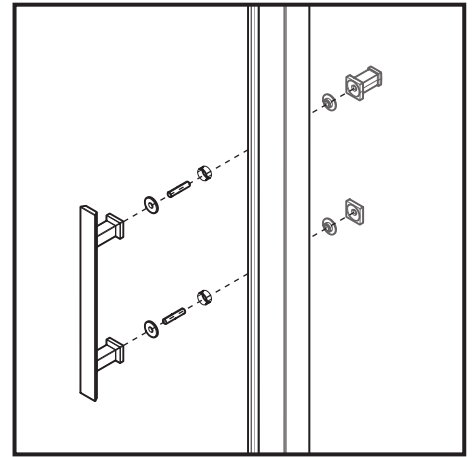
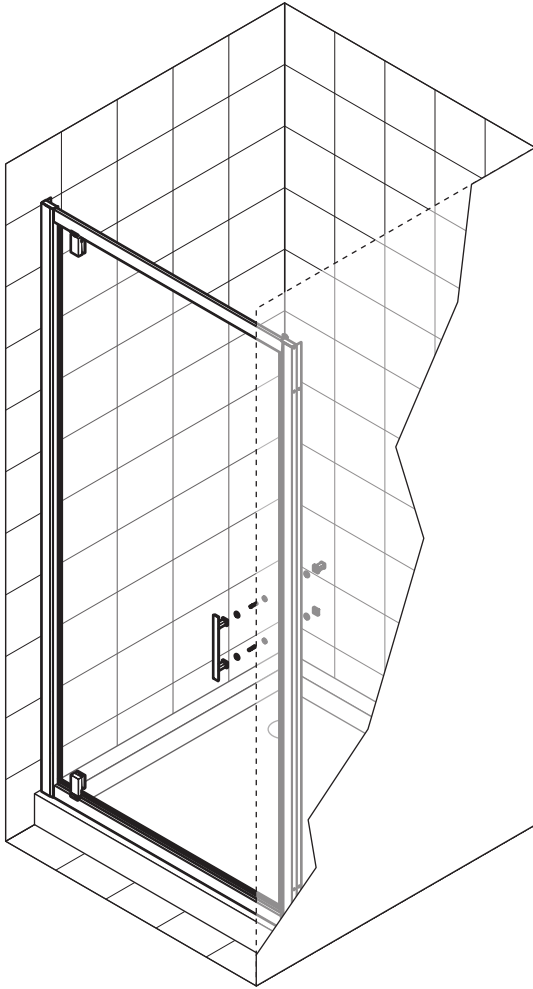
11



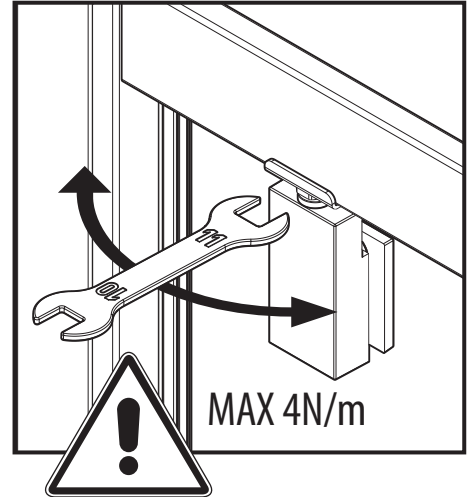
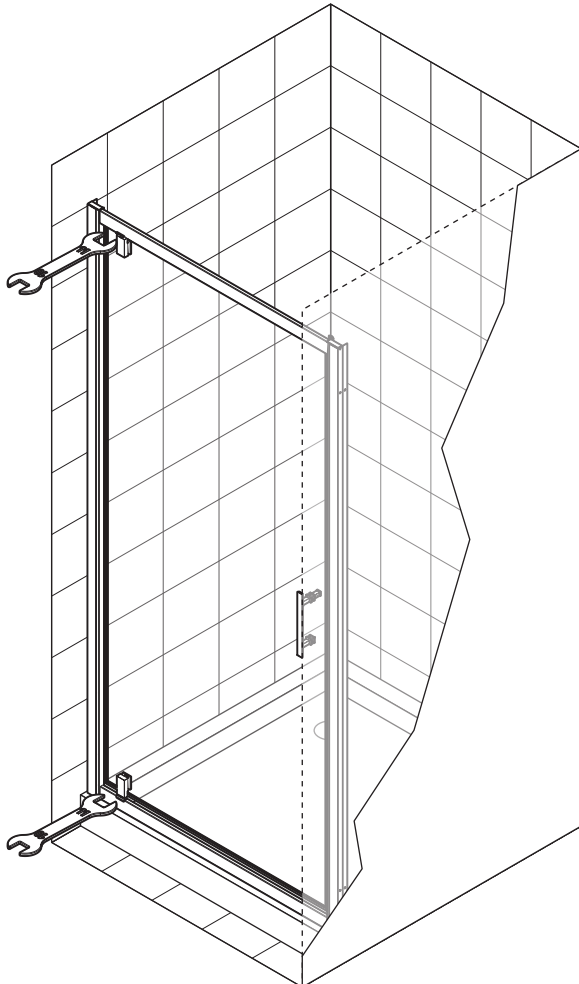
12



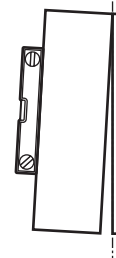
13



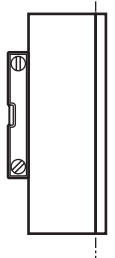
14



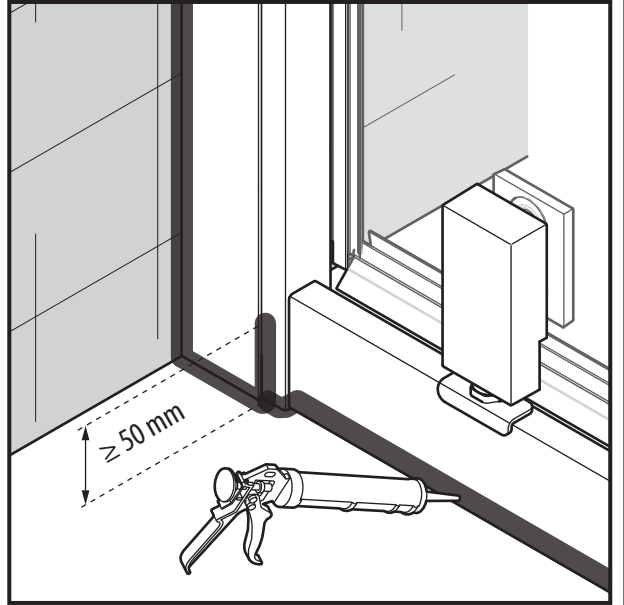
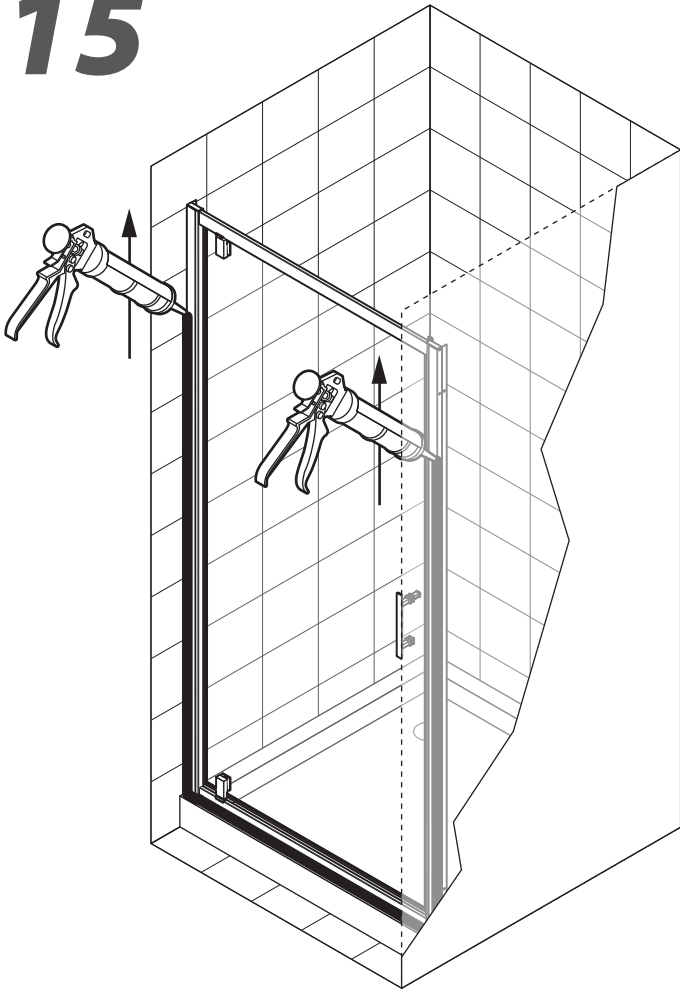
No!



OK



15



16

Optional

